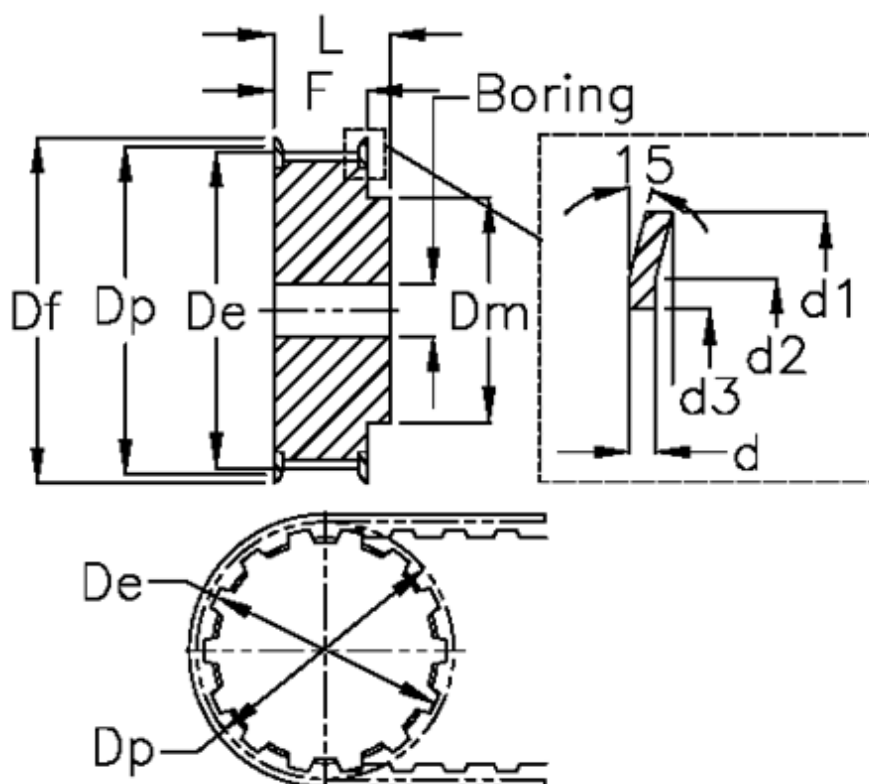


Article number: 604146018037

Description: Timing belt pulley with hub
18 XL 037

Measures



d = 1	F = 14.3	Width = XL 037
d1 = 35	Flange type = F11	
d2 = 30.5	L = 29.8	
d3 = 23	Max bore = 14.3	
De = 28.6	Pitch = 1/5"	
Df = 35	Pre-drilled = 6	
Dm = 20.6	Tooth number = 18	
Dp = 29.11	Weight = 0.06	